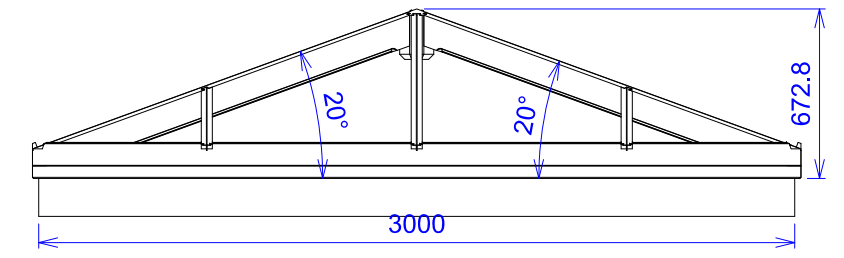
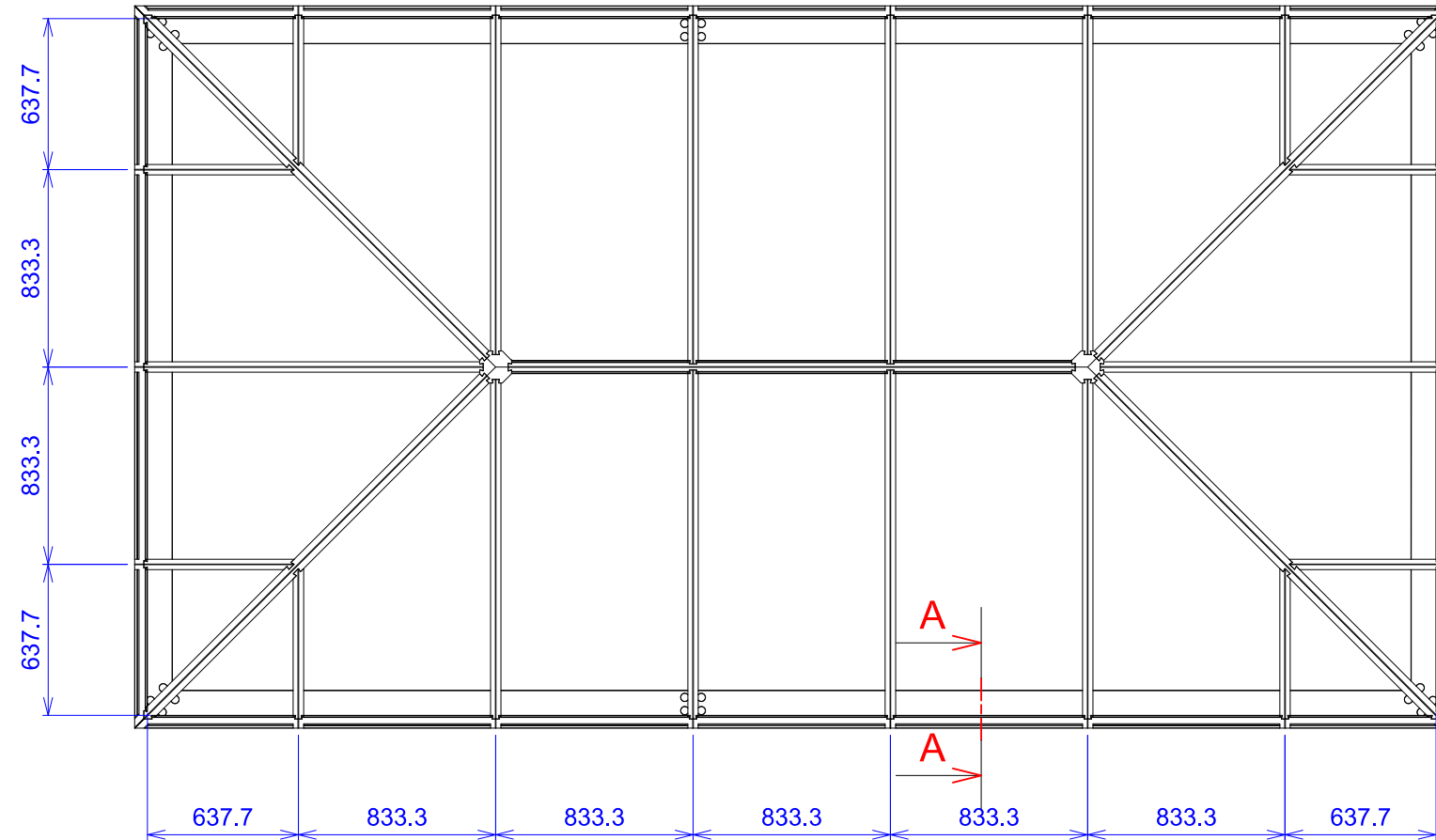
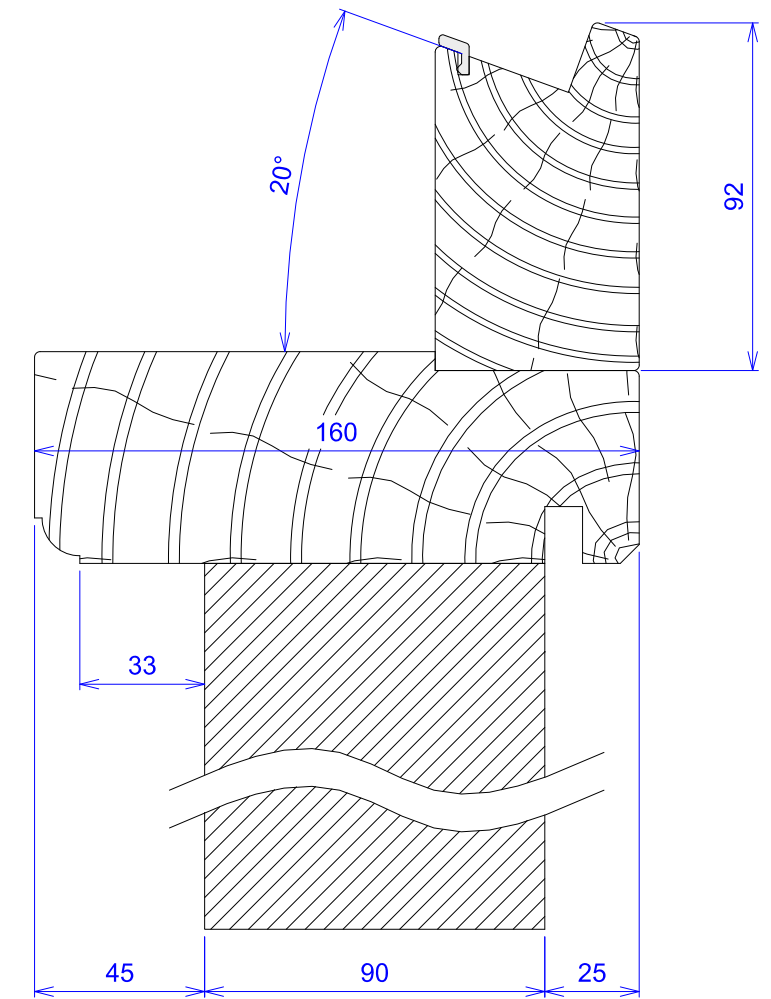


PLAN 1:30



A - A 1:2



	<b>BOUSTEAD</b>	AUTHOR Gniewko		
		DATE 26/05/2011		
	LANTERN - OVERALL VIEW & SECTIONS			
<b>A3</b>	<b>13.10.11</b>			01